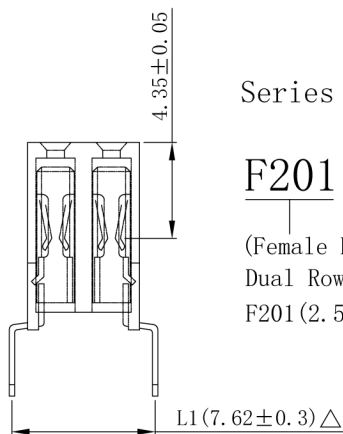
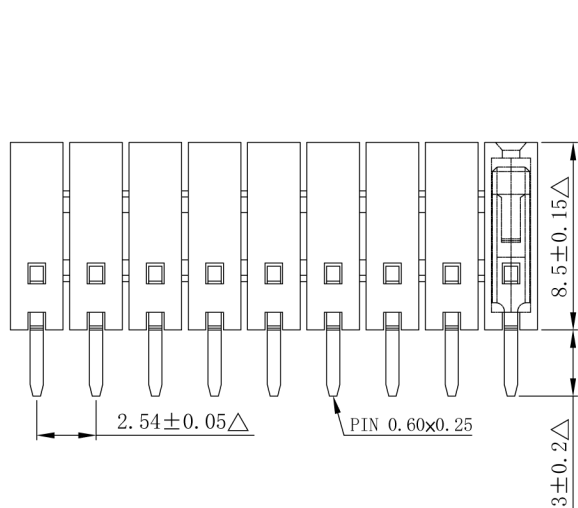


P.C.B Layout

Specifications

Current Rating	:3 Amps
Insulator Resistance	:5000 Megohms Min.
Contact Resistance	:20 m ohms max.
Dielectric Withstanding	:AC 1000 V
Operating Temperature	:-40°C ~ +105°C
Contact Material	:Phosphor Bronze
Insulator Material	:Polyester, UL 94V-0
Finish:	Tin, Gold or Duplex Plated
Standard:	Gold Flash all over



Series	Connector Type	Contact Plating	Material	Pin Length mm	Number of Contacts
<u>F201</u>	- <u>X</u>	<u>X</u>	<u>X</u>	- <u>D030</u>	- <u>XX</u>
(Female Header Dual Row) F201 (2.54 H:8.5)	L: 蜈蚣腳 L1: 7.62MM	G: Gold Flash T: Tin Plated A: 10U"Gold B: 15U"Gold C: 20U"Gold ©Duplex Plating D: Gold Flash/Tin F: Gold Flash/Tin 30U" (Standard:G)	P: PBT N: Nylon-6T L: Nylon-66 (Standard:L)	R-D D030 (Standard:R-D030)	(04 TO 80 Contacts)

所有材料為
"環保材料"
2006.6.6
RoHS

△ 此符號表示重點管控尺寸

DESCRIPTION(內容)	DRAWN(製圖) 彭維明	GENERAL TOLERANCE: (公差)	REV:	REV	DESCRIPTION	DATE
			R2			
2.54mm Female Header H:8.50 W:5.08 Nylon-6T 蜈蚣腳排母	CHECKED(確認):	.X .XX .XXX	UNIT:	R0	舊料號: CCPBA850R02xXXS 舊料號: F201-XXL1GN-D030	2005.08.13
			mm	R1	更新料號	2006.06.06
PART NO: (料號)	APPROVAL(核准):	SCALE(比例): 1:XX	A4	R2	變更環保章字樣	2006.08.15
DWG NO(圖號):			SHEET: 1/1	R3		