

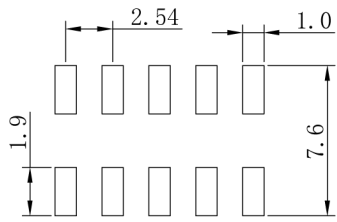
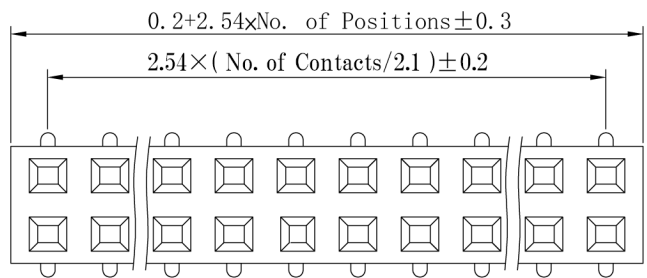
A

B

C

D

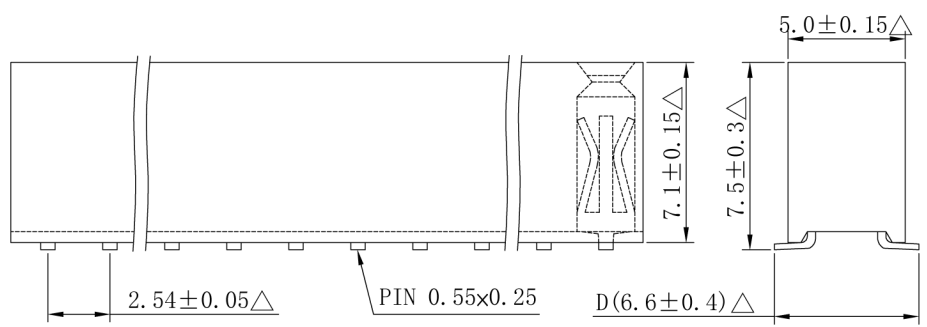
E



P. C. B. Hole Layout

### Specifications

- Current Rating : 3 Amps
- Insulator Resistance : 5000 Megohms Min.
- Contact Resistance : 20 m ohms max.
- Dielectric Withstanding : AC 1000 V
- Operating Temperature : -40°C ~ +105°C
- Max Processing Temp : 260°C for 3~5 sec Max.
- Contact Material : Phosphor Bronze
- Insulator Material : Polyester, UL 94V-0
- Standard : Nylon-6T
- Finish: Tin, Gold or Duplex Plated
- Standard: Gold Flash all over
- Note: Duplex plating: Gold Plated on contact area, Tin on solder area



Series	Connector Type	Contact Plating	Material	Pin Length mm	Number of Contacts
F202	X	X	X	DXXX	X X
(Female Header Dual Row) F202(2.54 H:7.1)	M:SMT Type	G:Gold Flash T:Tin Plated A:10U"Gold B:15U"Gold C:20U"Gold ©Duplex Plating D:Gold Flash/Tin (Standard:G)	N:Nylon-6T (Standard:N)	M-D D066	(04 TO 80 Contacts)

所有材料為  
 "環保材料"  
 2006.3.3  
 RoHS

△ 此符號表示重點管控尺寸

DESCRIPTION(內容): <b>2.54mm Female Header H:7.1 W:5.0 SMT Nylon-6T</b>  PART NO: (料號) <b>F202-MGN-D066-XX</b> DWG NO(圖號):	DRAWN(製圖): Kevin	GENERAL TOLERANCE: (公差)		REV: <b>R3</b>	REV	DESCRIPTION	DATE
	CHECKED(確認): Mandy	.X	.XXXX	UNIT: <b>mm</b>	<b>R0</b>	舊料號: <del>CWFJ4E09</del>	<b>2006.03.03</b>
	APPROVAL(核准): Johnny	.XX	.X°	SIZE: <b>A4</b>	<b>R1</b>	更新料號	<b>2006.07.10</b>
		.XXX	.XX°	SHEET: <b>1/1</b>	<b>R2</b>	變更環保字樣	<b>2006.08.15</b>
		SCALE(比例): 1:XX			<b>R3</b>	塑膠總長加膠變更為 <b>021(04-02)</b>	<b>2007.03.06</b>

A

B

C

D

E