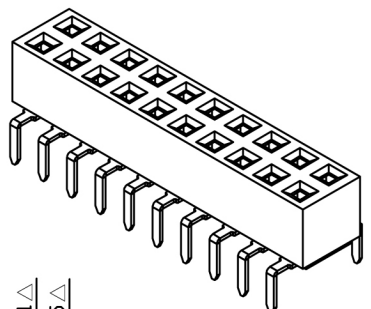
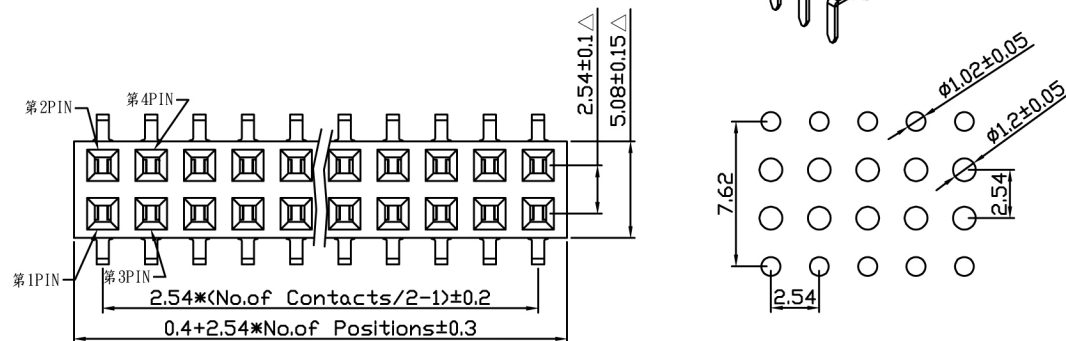


A B C D E

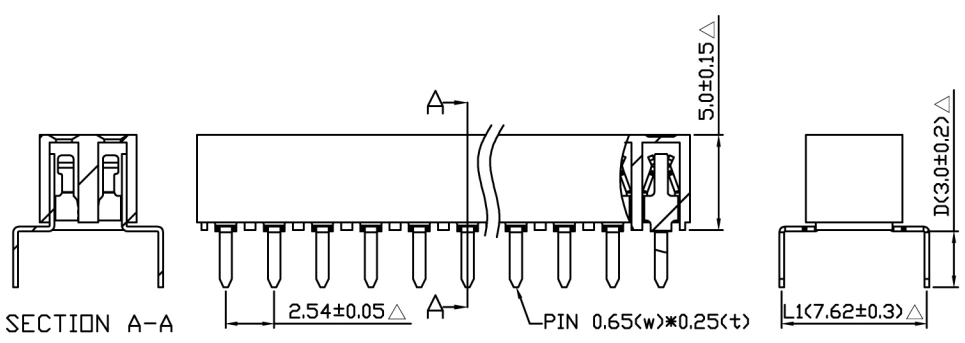


### Specifications

|                         |                              |
|-------------------------|------------------------------|
| Current Rating          | : 3 Amps                     |
| Insulator Resistance    | : 5000 Megohms Min.          |
| Contact Resistance      | : 20 m ohms max.             |
| Dielectric Withstanding | : AC 1000 V                  |
| Operating Temperature   | : -40°C ~ +105°C             |
| Contact Material        | : Phosphor Bronze            |
| Insulator Material      | : Polyester, UL 94V-0        |
| Finish                  | : Tin, Gold or Duplex Plated |
| Standard                | : Gold Flash all over        |



P.C.B Layout



|  |                      |  |                                     |                                |                     |
|--|----------------------|--|-------------------------------------|--------------------------------|---------------------|
| Series   | Connector Type       | Contact Plating  | Material                            | Pin Length mm                  | Number of Contacts  |
| <b>F294</b>  | <b>X</b>             | <b>X</b>   | <b>X</b>                            | <b>DXXX</b>                    | <b>XX</b>           |
| (Female Header Dual Row)<br>F294 (2.54 H:5.0 With stand off) | L: 蜈蚣腳<br>L1: 7.62MM | G: Gold Flash<br>T: Tin Plated<br>A: 10U"Gold<br>B: 15U"Gold<br>C: 20U"Gold<br>◎ Duplex Plating<br>D: Gold Flash/Tin (Standard: G) | N: Nylon-6T<br>P: PBT (Standard: N) | L-D<br>D030 (Standard: L-D030) | (04 TO 80 Contacts) |

△ 此符號表示重點管控尺寸

|  |  |   |                         |                   |             |      |  |
|--|--|---|-------------------------|-------------------|-------------|------|--|
| DESCRIPTION (內容):<br><b>2.54mm Female Header H:5.0 蜈蚣腳排母</b> | DRAWN (製圖):                            | GENERAL TOLERANCE: (公差)   | REV: <b>A1</b>          | REV               | DESCRIPTION | DATE |  |
|  | CHECKED (確認):                          | X. ±0.30 X. ° 30.0'<br>.X ±0.20 .X ° 30.0'<br>.XX ±0.15 .XX ° 30.0' | UNIT: <b>mm</b>         | <b>1</b>          |             |      |  |
|  | PART NO: (料號) <b>F294-L1G_-D030-XX</b> | APPROVAL (核准):  | SCALE (比例): <b>1:XX</b> | SIZE: <b>A4</b>   | <b>2</b>    |      |  |
|  | DWG NO (圖號):                           |   |                         | SHEET: <b>1/1</b> | <b>3</b>    |      |  |
|  |  |   |                         | <b>4</b>          |             |      |  |

A B C D E FILE NO: CWJ-4E-09