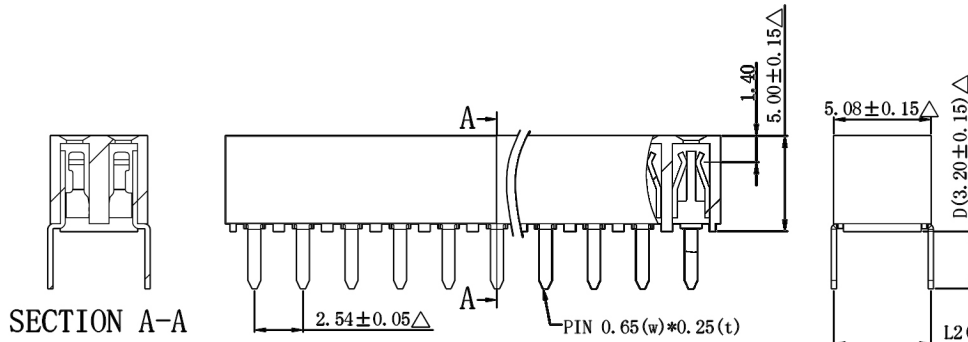


P. C. B Layout

Specifications

Current Rating	:3 Amps
Insulator Resistance	:5000 Megohms Min.
Contact Resistance	:20 m ohms max.
Dielectric Withstanding	:AC 1000 V
Operating Temperature	:-40°C ~ +105°C
Contact Material	:Phosphor Bronze
Insulator Material	:Polyester, UL 94V-0

Finish: Tin, Gold or Duplex Plated
Standard: Gold Flash all over



Series	Connector Type	Contact Plating	Material	Pin Length mm	Number of Contacts
F294	X	X	X	DXXX	-XX
(Female Header Dual Row) F294(2.54 H:5.0 With stand off)	L:蜈蚣腳 L2:5.08MM	G:Gold Flash T:Tin Plated A:10U"Gold B:15U"Gold C:20U"Gold ©Duplex Plating D:Gold Flash/Tin (Standard:G)	P:PBT N:Nylon-6T (Standard:P)	L-D D032 (Standard:L-D032)	(04 TO 80 Contacts)

所有材料為
"環保材料"
2006.8.08
RoHS

△ 此符號表示重點管控尺寸

DESCRIPTION(內容): 2.54mm Female Header H:5.0 W:5.08 蜈蚣腳排母	DRAWN(製圖): 黃玉美	GENERAL TOLERANCE: (公差)	REV: R3	REV	DESCR	
	CHECKED(確認):	.X .XX .XXX	.XXXX .X° .XX°	UNIT: mm	R0	舊料: C0800R03E (NE) 舊料: F294-L2P-D032 更新料號
	PART NO: (料號) F294-L2G_-D032-XX	APPROVAL(核准):	SCALE(比例): XX:XX	SIZE: A4	R1	端子規格之前為 08002 塑膠總長加膠有變動
	DWG NO(圖號):			SHEET: 1/1	R2 R3	新增 產 塑膠材質: PBT