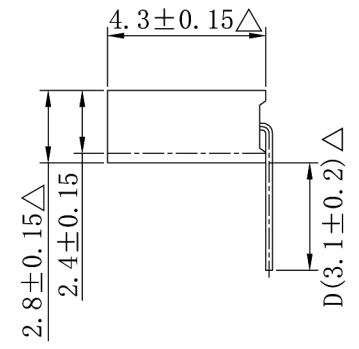
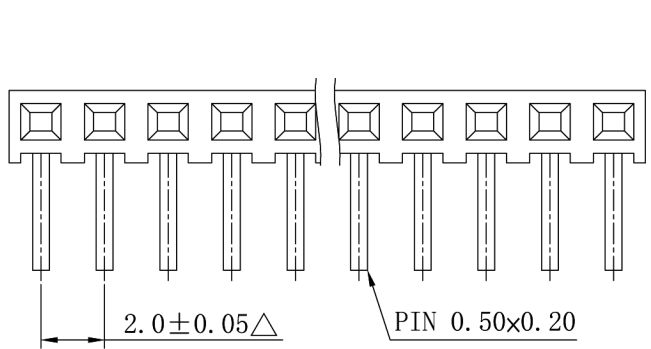


P. C. B. Hole Layout

Specifications

Current Rating	:2 Amp
Insulator Resistance	:3000 Megohms Min.
Contact Resistance	:20 m ohms max.
Dielectric Withstanding	:AC 500 V
Operating Temperature	:-40°C ~ +105°C
Contact Material	:Phosphor Bronze.
Insulator Material	:Polyester, UL 94V-0
Finish: Tin, Gold or Duplex Plated	
Standard: Gold Flash all over	
Note:	
Duplex plating: Gold Plated on contact area,	
Tin on solder area	



Series	Connector Type	Contact Plating	Material	Pin Length mm	Number of Contacts
F311	- X	X	X	- DXXX	- X X
(Female Header Single Row)	R:Right Angle	G:Gold Flash T:Tin Plated A:10U"Gold B:15U"Gold C:20U"Gold ©Duplex Plating D:Gold Flash/Tin (Standard:G)	P:PBT N:Nylon-6T (Standard:P)	R-D D031 (Standard:R-D024)	(02 TO 40 Contacts)

所有材料為
"環保材料"
2006.2.24
RoHS

△ 此符號表示重點管控尺寸

DESCRIPTION(內容): 2.0mm Female Header 90° H:4.3 單排波浪型排母 PART NO: (料 號) F311-RG_-D031-XX DWG NO(圖號):	DRAWN(製圖): Kevin CHECKED(確認):	GENERAL TOLERANCE: (公差) .X .XXXX .XX .X° .XXX .XX°	REV: R2 UNIT: mm SIZE: A4 SHEET: 1/1	REV R0 R1 R2 R3	DESCRIPTION 舊料號: COMB3001-XX-1 舊料號: F311-XRGP-D031 更新料號 變更環保章字樣	DATE 2005.08.13 2006.05.20 2006.07.12 2006.08.15
	APPROVAL(核准):	SCALE(比例): 1:XX				