

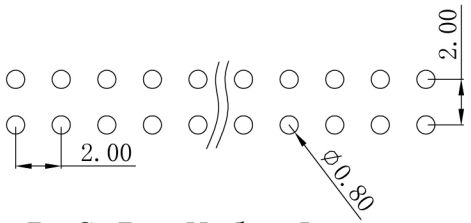
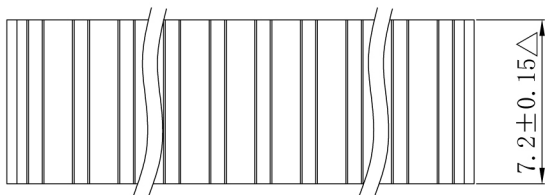
A

B

C

D

E



P.C.B. Hole Layout

### Specifications

Current Rating	:2 Amp
Insulator Resistance	:3000 Megohms Min.
Contact Resistance	:20 m ohms max.
Dielectric Withstanding	:AC 500 V
Operating Temperature	:-40°C ~ +105°C
Contact Material	:Phosphor Bronze.
Insulator Material	:Polyester, UL 94V-0

Finish: Tin, Gold or Duplex Plated  
 Standard: Gold Flash all over

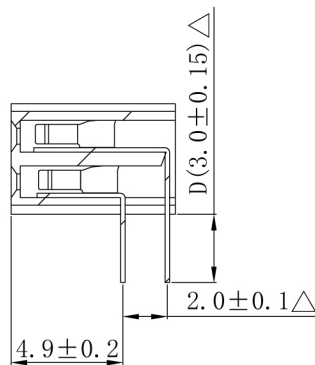
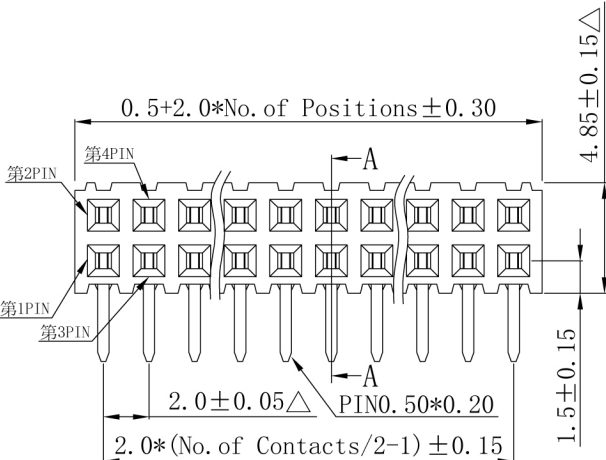
Note:  
 Duplex plating: Gold Plated on contact area,  
 Tin on solder area

1

1

2

2



SECTION A-A

Series	Connector Type	Contact Plating	Material	Pin Length mm	Number of Contacts
F405	-	X	X	- DXXX	-XX
(Female Header Dual Row) F405 (2.00 H:7.2)	R:Right Angle	G:Gold Flash T: Tin Plated A:10U"Gold B:15U"Gold C:20U"Gold	A:PA46 N:Nylon-6T (Standard:A)	R-D D030 Standard:R-D030	(04 TO 80 Contacts)
		©Duplex Plating D:Gold Flash/Tin (Standard:G)			

所有材料為  
 "環保材料"  
 2006.9.18  
 RoHS

△ 此符號表示重點管控尺寸

3

3

DESCRIPTION(內容): <b>2.0mm Female Header H:7.20 W:4.85 90° 波浪型排母</b>	DRAWN(製圖): 劉建平	GENERAL TOLERANCE: (公差)	REV: <b>R0</b>	REV	DESCRIPTION	DATE	
	CHECKED(確認):	.X .XX .XXX	.XXXX .X° .XX°	UNIT: <b>mm</b>	舊料號:CCWPBB485R02*XX 舊料號:F405-XXRGA-D030,更新料號	<b>2005.12.04</b> <b>2006.09.18</b>	
	PART NO: (料號) <b>F405-RG_-D030-XX</b>	APPROVAL(核准):	SCALE(比例): 1:XX	<b>A4</b>	<b>R1</b>		
	DWG NO(圖號):			<b>SHEET:</b> <b>1/1</b>	<b>R2</b>		
				<b>R3</b>			

A

B

C

D

E