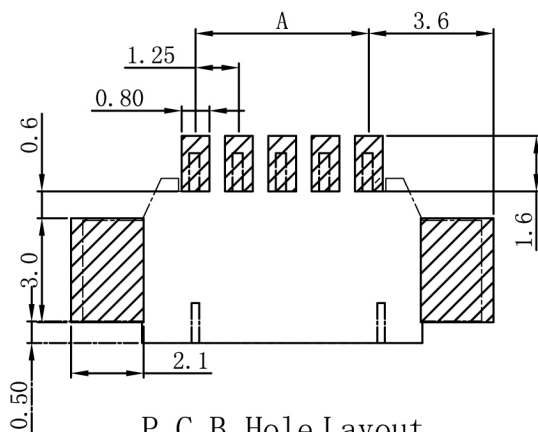
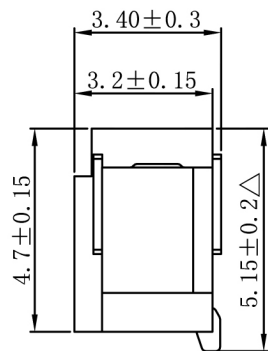
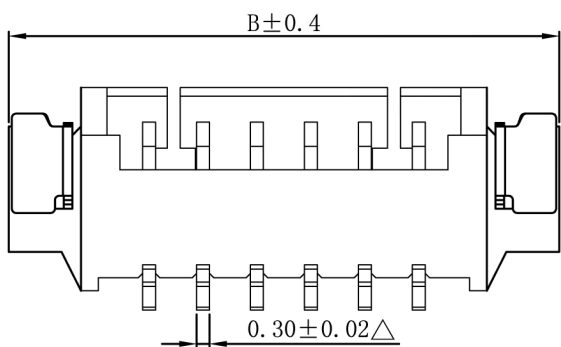


SPECIFICATIONS

Current rating : 1A AC, DC
 Voltage rating : 125V AC, DC
 Temperature range : $-25^{\circ}\text{C} \sim +85^{\circ}\text{C}$
 Contact resistance : $20\text{m}\Omega\text{Max}$
 Insulation resistance : $100\text{M}\Omega\text{Min}$
 Withstanding voltage : 250 V AC/minute
 Pin Material : Copper Alloy
 Finished : Matte Tin
 Housing Material : Nylon-6T, UL94 V-0
 Color : Beige



P. C. B Hole Layout

Circuits	Dimensions	
	A	B
2	1.25	7.75
3	2.50	9.00
4	3.75	10.25
5	5.00	11.50
6	6.25	12.75
7	7.50	14.00
8	8.75	15.25
9	10.00	16.50
10	11.25	17.75
11	12.50	19.00
12	13.75	20.25
13	15.00	21.50
14	16.25	22.75
15	17.50	24.00

DESCRIPTION(內容):
1.25mm Wafer 90° SMT (環保材料)

PART NO:
 (料 號) **CCX-W125R-XX-SMT**

DWG NO(圖號):

DRAWN(製圖):
 王建平

CHECKED(確認):

APPROVAL(核准):

GENERAL TOLERANCE:
 (公差)

.0 ±0.20
 .00 ±0.15
 .000 ±0.10

SCALE(比例):
 1:XX



REV:
 A/10

UNIT:
 mm

SIZE:
 A4

SHEET:
 1/1

REV	DESCRIPTION	DATE
1	☒此符號表示重點管控尺寸	2007.08.29
2	更改塑膠外觀 材質:磷青銅改為黃銅	2008.03.03 2008.04.11
3	增加尺寸公差	2008.12.01
4	變更塑膠高度	2012.08.30