

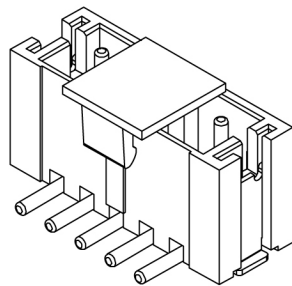
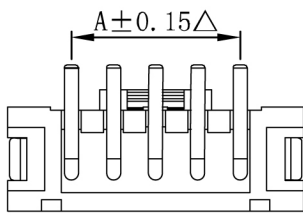
SPECIFICATIONS

Current rating : 1A AC, DC
 Voltage rating : 100V AC, DC
 Temperature range : -25°C ~ +85°C
 Contact resistance : 20mΩMax
 Insulation resistance : 500MΩMin
 Withstanding voltage : 500 VAC/minute
 Finished : Tin-plated
 Housing Material : Nylon-6T, UL94 V-0
 Color : BEIGE

Circuits	Dimensions	
	A	B
02	1.50	6.00
03	3.00	7.50
04	4.50	9.00
05	6.00	10.50
06	7.50	12.00
07	9.00	13.50
08	10.50	15.00
09	12.00	16.50
10	13.50	18.00
11	15.00	19.50
12	16.50	21.00
13	18.00	22.50

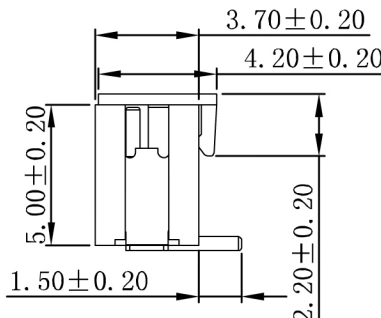
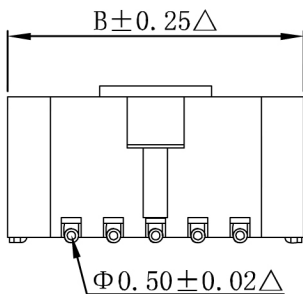
P.C.B Hole Layout

DESCRIPTION(內容): 1.50mm Pin Wafer SMT (環保材料)	DRAWN(製圖): 鄧文廣	GENERAL TOLERANCE:(公差)	REV: A/2	REV	DESCRIPTION	DATE	
	CHECKED(確認):	.0 ±0.20 .00 ±0.15 .000 ±0.10	UNIT: mm	1	△ 此符號表示重點管控尺寸	2008.10.23	
	PART NO: (料號) CCZ-W150-XX-SMT	APPROVAL(核准):	SCALE(比例): 1:XX	SIZE: A4	2		
	DWG NO(圖號):			SHEET: X/X	3		
				4			

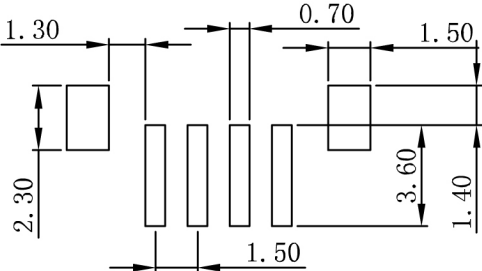
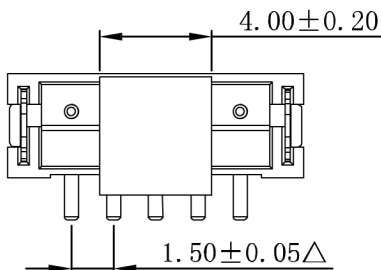


SPECIFICATIONS

Current rating : 1A AC, DC
 Voltage rating : 100V AC, DC
 Temperature range : -25°C ~ +85°C
 Contact resistance : 20mΩMax
 Insulation resistance : 500MΩMin
 Withstanding voltage : 500 V AC/minute
 Finished : Tin-plated
 Housing Material : Nylon-6T, UL94 V-0
 Color : BEIGE



Circuits	Dimensions	
	A	B
02	1.50	6.00
03	3.00	7.50
04	4.50	9.00
05	6.00	10.50
06	7.50	12.00
07	9.00	13.50
08	10.50	15.00
09	12.00	16.50
10	13.50	18.00
11	15.00	19.50
12	16.50	21.00
13	18.00	22.50



P.C.B Hole Layout

DESCRIPTION(內容): 1.50mm Pin Wafer SMT Reel Pack CAP+REEL包裝(環保材料) PART NO: (料號) CCZ-W150-XX-SMT-RC DWG NO(圖號):	DRAWN(製圖): 鄧文廣	GENERAL TOLERANCE: (公差) .0 ±0.20 .00 ±0.15 .000 ±0.10	REV: A/1 UNIT: mm SIZE: A4 SHEET: X/X	REV 1 2 3 4	DESCRIPTION Δ此符號表示重點管控尺寸	DATE 2009.01.05
	CHECKED(確認):	APPROVAL(核准):	SCALE(比例): 1:XX			