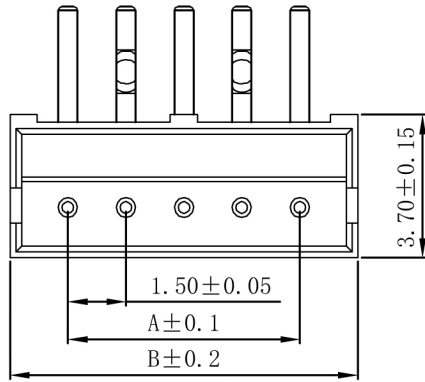
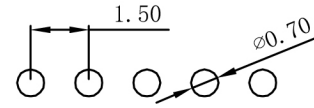


4P(含4P) 以下打“K”



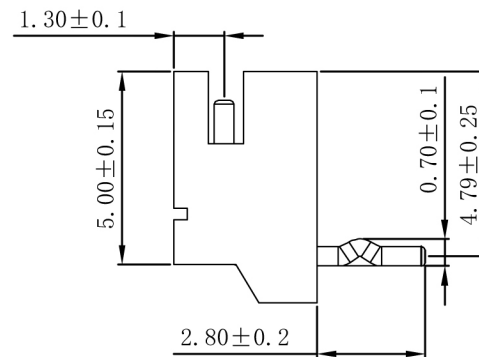
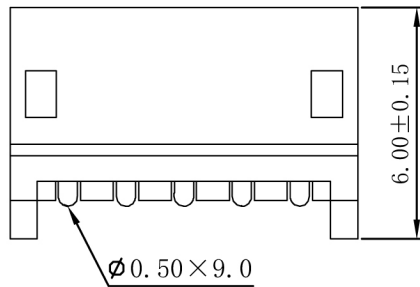
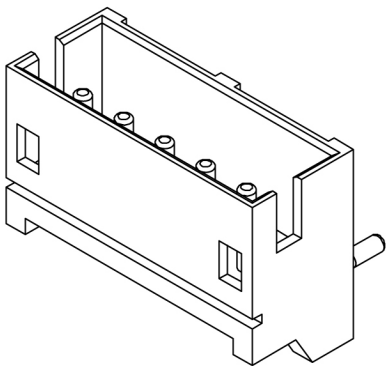
5P(含5P) 以上打“K”



P.C.B Hole Layout

Specifications

Current Rating	:1A AC, DC
Voltage rating	:100V AC, DC
Temperature range	: -25°C ~ +85°C
Contact resistance	:20mΩ Max
Insulation resistance	:500MΩ Min
Withstanding voltage	:500 VAC/minute
Pin Material	:Brass
Finished	:Tin-plated
Housing Mateial	:Nylon-66, UL94 V-0
Color	:GRAY



Circuits	A (mm)	B (mm)
02P	1.50	4.50
03P	3.00	6.00
04P	4.50	7.50
05P	6.00	9.00
06P	7.50	10.5
07P	9.00	12.00
08P	10.5	13.50
09P	12.00	15.00
10P	13.50	16.50
11P	15.00	18.00
12P	16.50	19.50
13P	18.00	21.00

DESCRIPTION(內容):
ZH 1.5mm Wafer 90° Ø=0.50
 (環保材料)

PART NO:
 (料號) **CCZ-W150R-XX**

DWG NO(圖號):

DRAWN(製圖): 周基華
 GENERAL TOLERANCE:(公差)
 .0 ±0.20
 .00 ±0.15
 .000 ±0.10

CHECKED(確認):

APPROVAL(核准):

SCALE(比例): 1:XX

REV:	REV	DESCRIPTION	DATE
A/5	1	變更版本公差	2005.06.20
UNIT: mm	2	△圖面中有此符號表示重點尺寸	2005.08.13
SIZE: A4	3	料號由CW-W151R-XX-DIP	2006.08.23
SHEET: 1/1	4	料號由CW-W150R-XX改為CCZ-W150R-XX	2007.10.10