

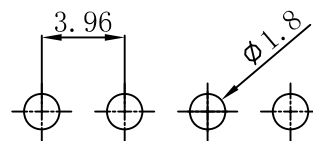
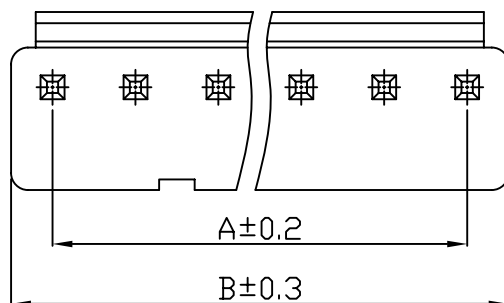
A

B

C

D

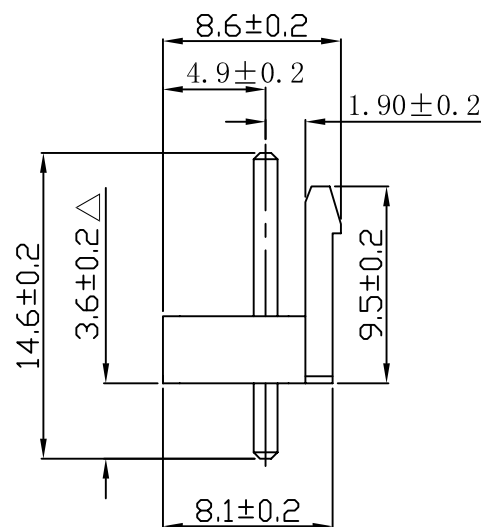
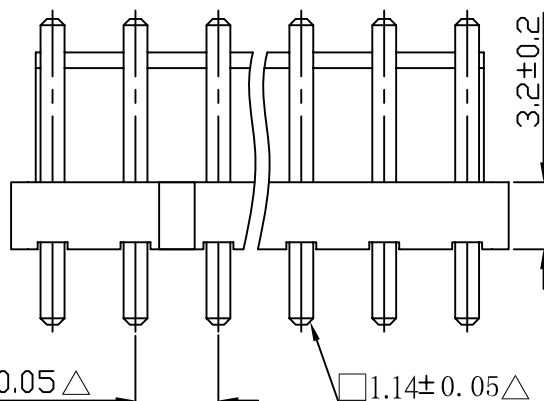
E



P. C. B Hole Layout

SPECIFICATIONS

Current rating	:7A AC, DC
Voltage rating	:250V AC, DC
Temperature range	:-25° C~+85° C
Contact resistance	:10mΩMax
Insulation resistance	:1000MΩMin
Withstanding voltage	:1500 V AC/minute
Pin Material	:Brass
Finished	:Tin-plated
Housing Material	:Nylon-66, UL94 V-0
Color	:Ivory-white



Circuits	Part NO.	Dimension mm	
		A	B
2	CV-W3961-02	3.96	7.92
3	CV-W3961-03	7.92	11.88
4	CV-W3961-04	11.88	15.84
5	CV-W3961-05	15.84	19.80
6	CV-W3961-06	19.80	23.76
7	CV-W3961-07	23.76	27.72
8	CV-W3961-08	27.72	31.68
9	CV-W3961-09	31.68	35.64
10	CV-W3961-10	35.64	39.60
11	CV-W3961-11	39.60	43.56
12	CV-W3961-12	43.56	47.52
13	CV-W3961-13	47.52	51.48
14	CV-W3961-14	51.48	55.44
15	CV-W3961-15	55.44	59.40

DESCRIPTION(內容):

VH 3.96mm Wafer 180° □=1.14
(環保材料)

PART NO:
(料號) CV-W3961-XX

DWG NO(圖號):

DRAWN(製圖):

黃炳秋

CHECKED(確認):

APPROVAL(核准):

GENERAL TOLERANCE:

(公差)

.X .XXXX
.XX .X°
.XXX .XX°

SCALE(比例):

1:XX



REV:

A/7

UNIT:

mm

SIZE:

A4

SHEET:

1/1

REV

1

2

3

7

DESCRIPTION

△此符號表示重點管控尺寸

(2D)增加產品顏色標注

增加標注4.9±0.2

增加尺寸標注1.9±0.2

DATE

2003.08.19

2007.07.10

2010.04.08

2013.06.18