

SPECIFICATIONS

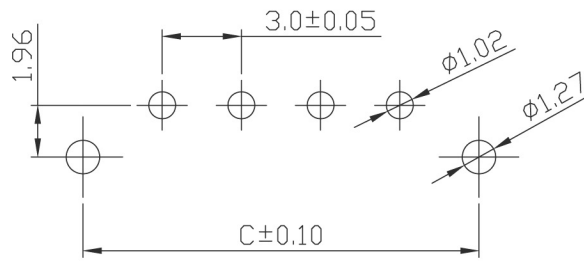
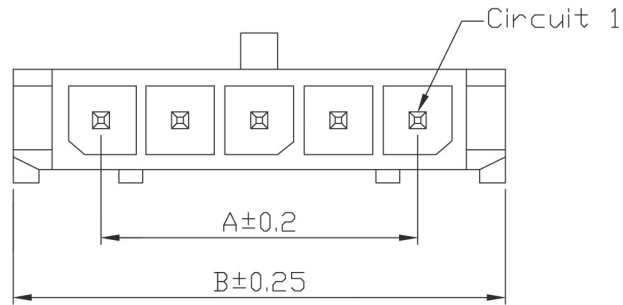
Current rating : 5A AC, DC
 Voltage rating : 250V AC, DC
 Temperature range : -25°C ~ +85°C
 Contact resistance : 10mΩ Max
 Insulation resistance : 1000MΩ Min
 Withstanding voltage : 1500 V AC/minute
 Finished : Brass/Tin-plated
 Housing Material : PBT+30%GF/LCP/NL-6T/
 PA-46, UL94 V-0
 Color : Black

PART NO. :

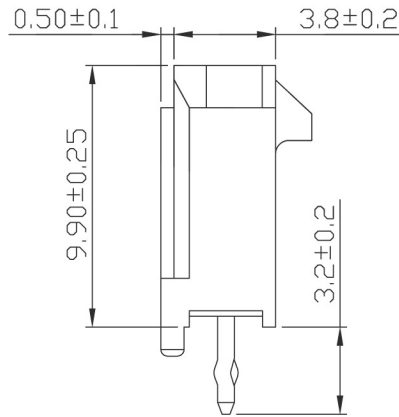
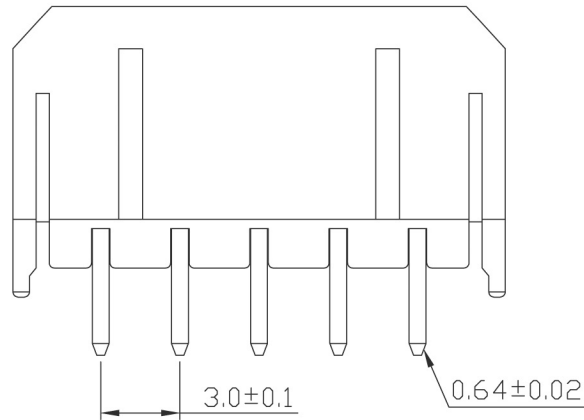
CW-W300WV (X) - XX

Material
 P: PBT
 C: LCP
 N: Nylon-6T
 A: PA-46
 NO. OF CONTACTS (01-12 P)

Part No.	Dimensions		
	A	B	C
01P	—	6.65	—
02P	3.00	9.65	9.00
03P	6.00	12.65	12.00
04P	9.00	15.65	15.00
05P	12.00	18.65	18.00
06P	15.00	21.65	21.00
07P	18.00	24.65	24.00
08P	21.00	27.65	27.00
09P	24.00	30.65	30.00
10P	27.00	33.65	33.00
11P	30.00	36.65	36.00
12P	33.00	39.65	39.00



P.C.B LAYOUT



DESCRIPTION(内容):
MX3.00mm Micro-Fit 180° 打K
 (环保材料)

PART NO:
 (料 號) **CW-W300WV(X)-XX**

DWG NO(圖號): LJQ032

DRAWN(製圖):
 邓文广

CHECKED(確認):

APPROVAL(核准):

GENERAL TOLERANCE:
 (公差)

.X .XXXX
 .XX .X°
 .XXX .XX°

SCALE(比例):
 1:XX



REV:
A/2

UNIT:
mm

SIZE:
A4

SHEET:
1/1

REV

1

2

3

4

DESCRIPTION

新增塑膠材質&料號選項

DATE

2010.09.17

2015.01.21