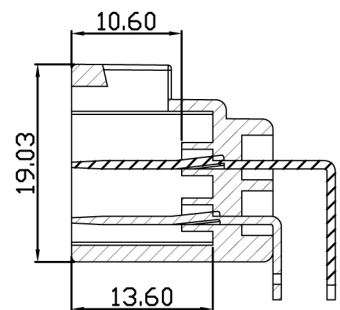
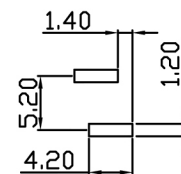
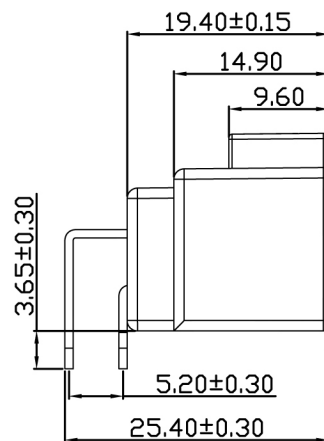
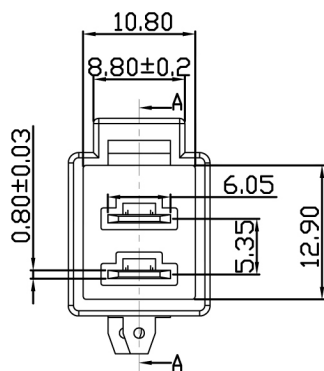


Specifications

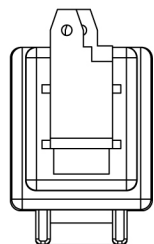
Current Rating	: 25A AC, DC
Voltage Rating	: 250V AC, DC
Temperature range	: -25°C ~ +85°C
Contact Resistance	: 20 m ohms max.
Insulator Resistance	: 1000 Megohms Min.
Withstanding voltage	: 1500V AC/minute
Housing Material	: Nylon-66 UL 94V-0
Color	: Beige
Contact Material	: Brass
Finished	: Tin 100u"~150u" Plated, Over Nickel 30u"~50u" Plated



剖面 A-A



P. C. B LAYOUT



DESCRIPTION(內容): 8.9 mm Wafer 90度 Nylon-66 米黃色 (環保材料)	DRAWN(製圖): 黃炳秋	GENERAL TOLERANCE: (公差)	REV: A/2	REV	DESCRIPTION	DATE
	CHECKED(確認):	.X ±0.20 .XX ±0.15 .XXX ±0.1	UNIT: mm	1		2010.12.07
PART NO: (料號) CW890R-02-AA	APPROVAL(核准):	SCALE(比例):	SIZE: A4	2	更新圖面尺寸及電氣性能說明	2013.12.20
DWG NO(圖號):		1:XX	SHEET: 1/1	3		
				4		