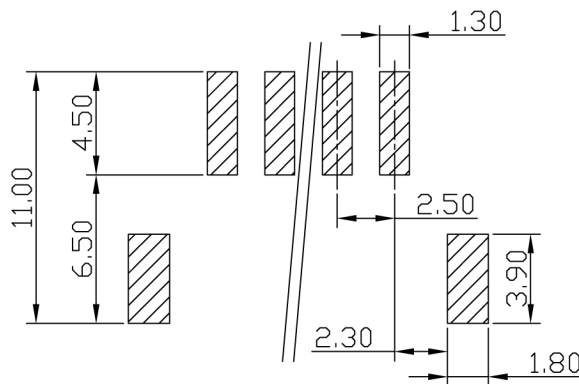
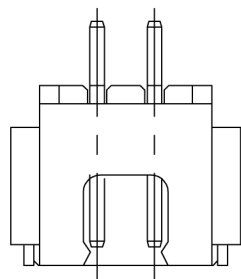
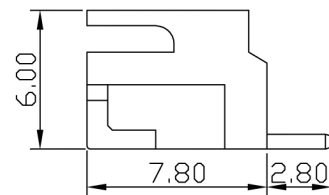
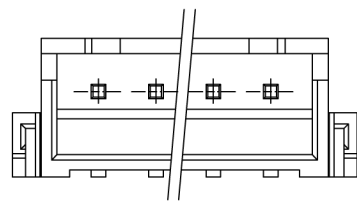


3P-11P



Specifications

Current Rating: 3A AC, DC
 Voltage Rating: 250V AC Maximum
 Operating Temp: -25°C ~ 85°C
 Contact Resistance: 10mΩ Max
 Insulation Resistance: 1000MΩ Min
 Wafer: Nylon 6T, UL94V-0
 Pin: Brass / Gold Flash
 Solder Tab: Brass / Tin Plated

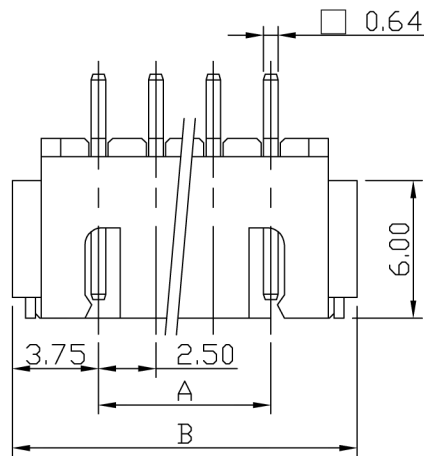


2P

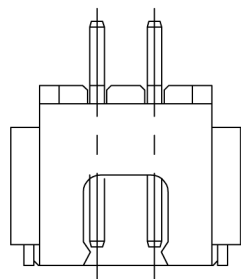
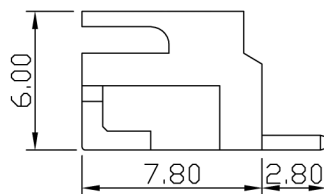
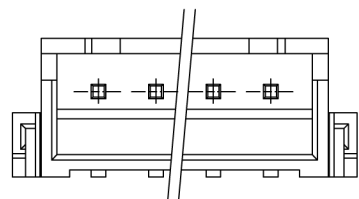
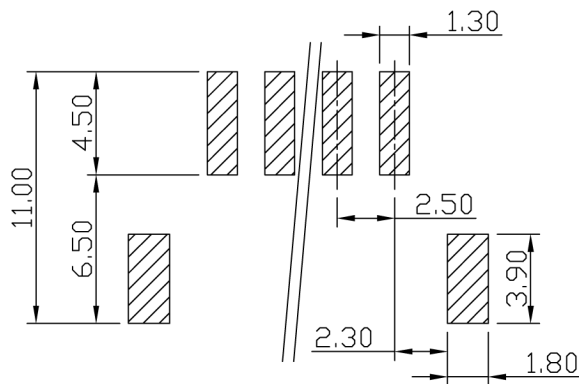
所有材料為
"環保材料"
2008.6.12
RoHS

Poles	Part No.	Dimension mm		Note.
		A	B	
2	CX-W250R-02GO-SMT	2.5	10.0	
3	CX-W250R-03GO-SMT	5.0	12.5	
4	CX-W250R-04GO-SMT	7.5	15.0	
5	CX-W250R-05GO-SMT	10.0	17.5	
6	CX-W250R-06GO-SMT	12.5	20.0	
7	CX-W250R-07GO-SMT	15.0	22.5	
8	CX-W250R-08GO-SMT	17.5	25.0	
9	CX-W250R-09GO-SMT	20.0	27.5	
10	CX-W250R-10GO-SMT	22.5	30.0	
11	CX-W250R-11GO-SMT	25.0	32.5	

DESCRIPTION(內容):	DRAWN(製圖):	GENERAL TOLERANCE:(公差)	REV:	REV	DESCRIPTION	DATE
XH2.5mm Wire-to-Board Header SMT 90° Type	mandy	X.XX ±0.25 X.X ±0.35	R3	R0	RELEASE	2008.06.12
	CHECKED(確認):		UNIT: mm	R1	變更料號	2008.09.19
PART NO: (料號) CX-W250R-XXGO-SMT	MANDY	SCALE(比例):	A4	R2	刪除12~16PIN(無生產)	2013.02.23
DWG NO(圖號): 2501J-XX-RG-S	APPROVAL(核准):	FREE	SHEET:	R3	2014年Pin數編碼統一	2014.09.02
	JOHNNY		1/1			



3P-11P



2P

所有材料為
"環保材料"
2008.6.12
RoHS

Specifications

Current Rating: 3A AC, DC
 Voltage Rating: 250V AC Maximum
 Operating Temp: -25°C ~ 85°C
 Contact Resistance: 10mΩ Max
 Insulation Resistance: 1000MΩ Min
 Wafer: Nylon 6T, UL94V-0
 Pin: Brass / Gold Flash
 Solder Tab: Brass / Tin Plated

Poles	Part No.	Dimension mm		Note.
		A	B	
2	CX-W250R-02GO-SMTR	2.5	10.0	
3	CX-W250R-03GO-SMTR	5.0	12.5	
4	CX-W250R-04GO-SMTR	7.5	15.0	
5	CX-W250R-05GO-SMTR	10.0	17.5	
6	CX-W250R-06GO-SMTR	12.5	20.0	
7	CX-W250R-07GO-SMTR	15.0	22.5	
8	CX-W250R-08GO-SMTR	17.5	25.0	
9	CX-W250R-09GO-SMTR	20.0	27.5	
10	CX-W250R-10GO-SMTR	22.5	30.0	
11	CX-W250R-11GO-SMTR	25.0	32.5	

DESCRIPTION(內容):	DRAWN(製圖):	GENERAL TOLERANCE:(公差)	REV:	REV	DESCRIPTION	DATE	
XH2.5mm Wire-to-Board Header SMT 90° Type, REEL	mandy	X.XX ±0.25 X.X ±0.35	R3				
	CHECKED(確認):		UNIT: mm	R0	RELEASE	2008.06.12	
PART NO: (料號) CX-W250R-XXGO-SMTR	MANDY	SCALE(比例): FREE	SIZE:	R1	變更料號	2008.09.19	
DWG NO(圖號): 2501J-XX-RG-S-R	APPROVAL(核准):		⊕	A4	R2	刪除12~16PIN(無生產)	2013.02.23
	JOHNNY			SHEET:	R3	2014年Pin數編碼統一	2014.09.02
			XIX				